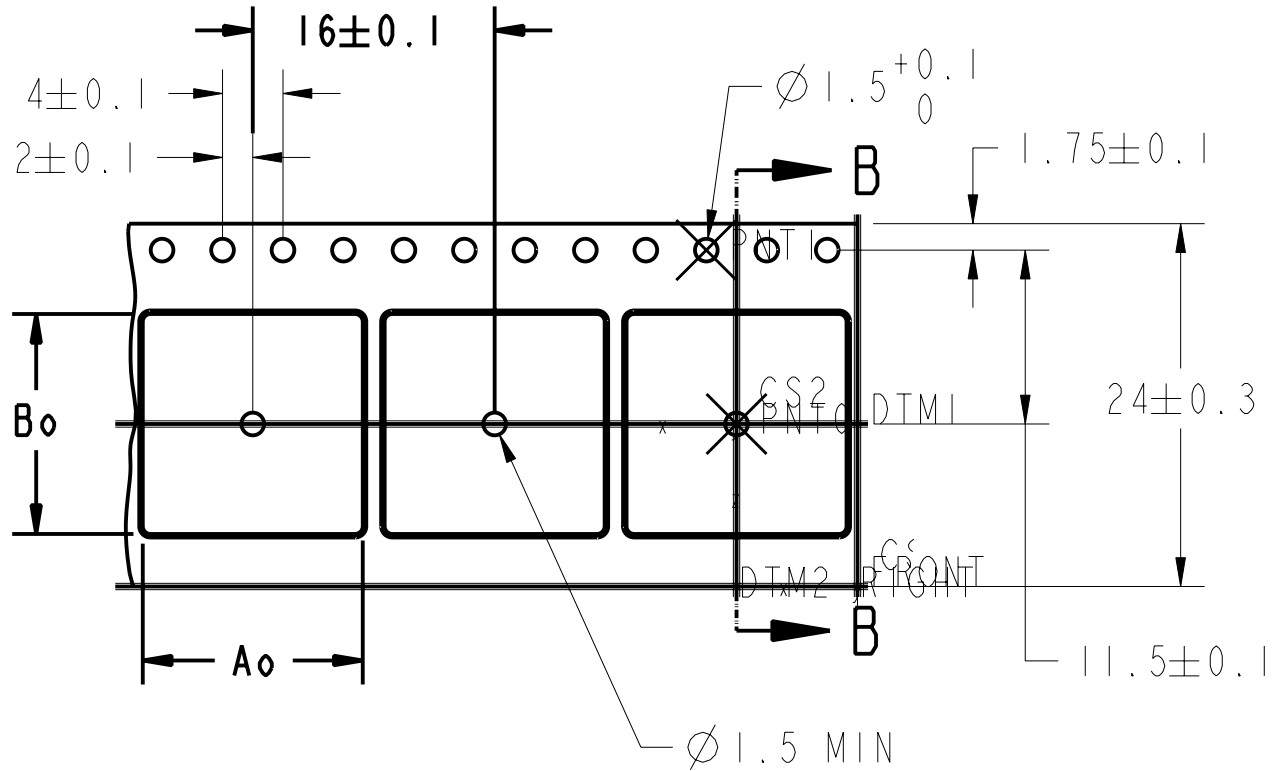
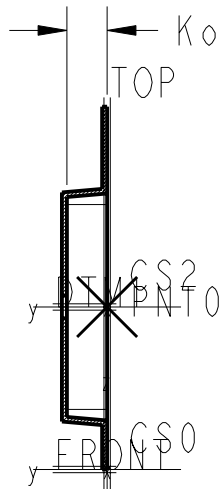


SECTION B-B



NOTES:

1. EIA-481 STANDARDS APPLY
2. POCKET POSITION RELATIVE TO SPROCKET HOLE MEASURED AS TRUE POSITION OF POCKET, NOT POCKET HOLE
3. DIE # WD10229 RI

| | |
|----------------|--------------|
| A ₀ | 14.55 [.573] |
| B ₀ | 14.55 [.573] |
| K ₀ | 2.66 [.105] |

| | | |
|--|--|-------------------|
| <u>TOLERANCES UNLESS OTHERWISE SPECIFIED</u> | DRAWN BY K. WAGNER | DATE 11-Dec-02 |
| ± | CHECKED BY . | DATE . |
| ± | DESIGNED BY . | DATE . |
| ± | APPROVED BY . | DATE . |
| ± | --- CONFIDENTIALITY --- | |
| DRAFT UNLESS NOTED: 0.5° | THIS DRAWING IS HEREBY DESIGNATED AS CONFIDENTIAL. INFORMATION ON IT IS PROPRIETARY Accutech AND SHALL NOT BE USED OR DISCLOSED TO THIRD PERSONS EXCEPT IN CONFORMITY WITH Accutech WRITTEN CONSENT. | |
| ∠ ± 0.5° | UNLESS OTHERWISE NOTED: ALL DIMENSIONS AND TOLERANCES PER ASME Y14.5M-1994 AND Accutech DRAFTING STANDARD NO. 1.0000. | |
| ALL DIMENSIONS ARE IN MM | SCALE: NTS | |
| SHEET OF | 1 | |

| | | |
|--|--|-------------------------------|
| | | A SIZE APPD. BY |
| THIRD ANGLE PROJECTION | | X-331 ECO NO. REV. A |
| TITLE/DESCRIPTION TAPE - CARR R2084 T-R 24mm | | |
| PART NO./I.D. NO. CT-9924G-139 | | |
| MATERIAL/MOLD NO. STATIC DISSIPATIVE POLYSTYRENE | | |
| DRAWING NO. 01-019845 | | |