


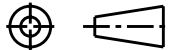
NOTES:

1. EIA-481 STANDARDS APPLY
2. DIE # WD20390 R2

A0	4.70 [.185]
B0	6.60 [.260]
K0	7.80 [.307]

TOLERANCES UNLESS OTHERWISE SPECIFIED	DRAWN BY K. WAGNER	DATE 02-Dec-02
±	CHECKED BY .	DATE .
±	DESIGNED BY .	DATE .
±	APPROVED BY .	DATE .
±	--- CONFIDENTIALITY ---	
DRAFT UNLESS NOTED: 0.5°	THIS DRAWING IS HEREBY DESIGNATED AS CONFIDENTIAL. INFORMATION ON IT IS PROPRIETARY Accutech AND SHALL NOT BE USED OR DISCLOSED TO THIRD PERSONS EXCEPT IN CONFORMITY WITH Accutech WRITTEN CONSENT.	
∠ ± 0.5°	UNLESS OTHERWISE NOTED: ALL DIMENSIONS AND TOLERANCES PER ASME Y14.5M-1994 AND Accutech DRAFTING STANDARD NO. 1.0000.	
ALL DIMENSIONS ARE IN MM		
SCALE: NTS		
SHEET OF		



THIRD ANGLE PROJECTION 

TITLE/DESCRIPTION
TAPE - CARR
R2176A T-R 24mm

PART NO./I.D. NO.
CT-9924H-133

MATERIAL/MOLD NO.
STATIC DISSIPATIVE
POLYSTYRENE

DRAWING NO.
01-019559

A SIZE

APPD. BY

X-273

ECO NO.
REV.
A