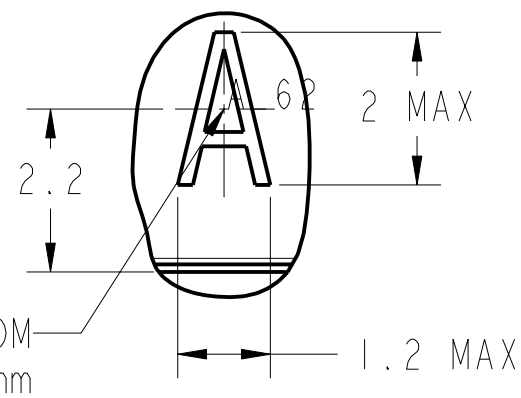
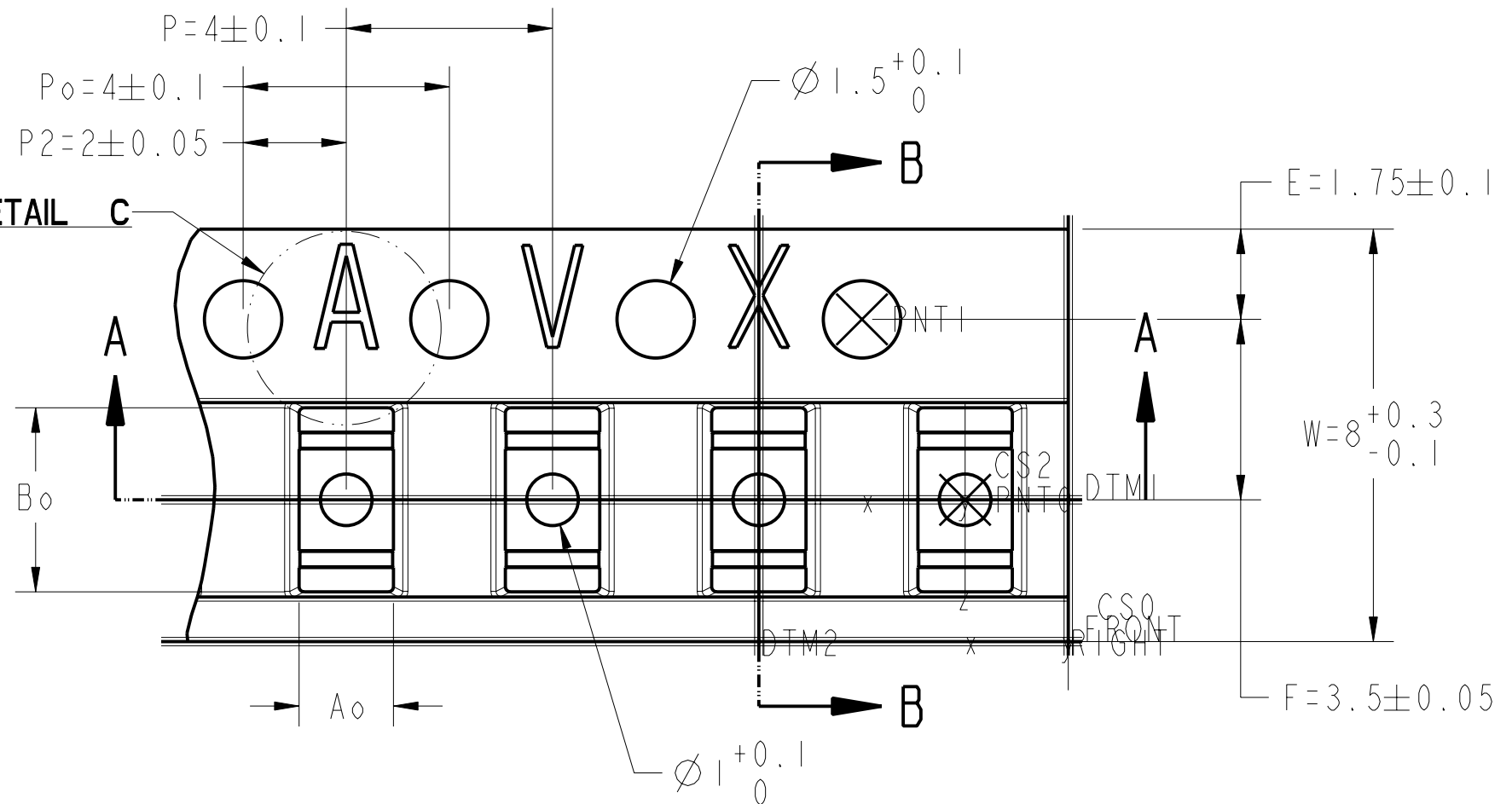


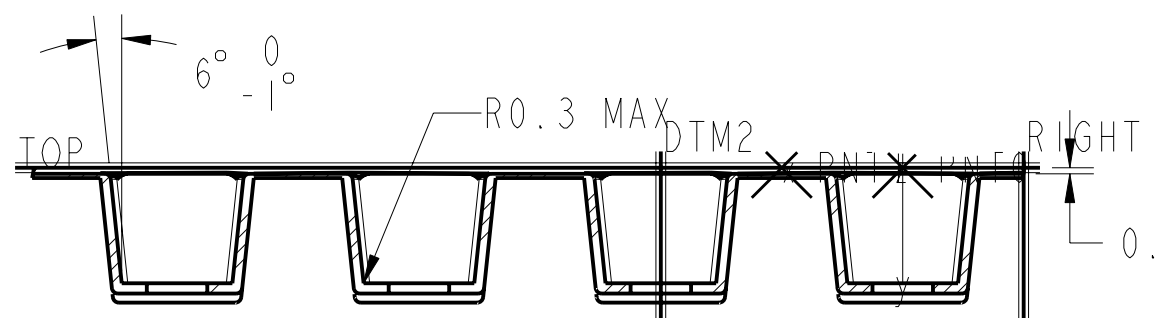
**SECTION B-B**



**DETAIL C**  
SCALE 10.000



**SECTION A-A**



**NOTES:**

1. EIA-481 STANDARDS APPLY
2. POCKET POSITION RELATIVE TO SPROCKET HOLE MEASURED AS TRUE POSITION OF POCKET, NOT POCKET HOLE
3.  $P10 = P_0 \times 10$

4. NUMBER IDENTIFIES PRODUCT CONFIGURATION. FOR COMPLETE ORDER NUMBER TO INCLUDE MATERIAL TYPE AND QUANTITY PER REEL, CONTACT CUSTOMER SERVICE.

A <sub>0</sub>	1.83±0.07 [0.072±.003]
B <sub>0</sub>	3.57±0.07 [0.141±.003]
K <sub>0</sub>	1.91±0.07 [0.075±.003]
K <sub>1</sub>	2.06±0.07 [0.081±.003]

**IMPORTANT NOTICE:**

DRAWING DOES NOT CONTAIN ALL DIMENSIONS, SPECIFICATIONS, AND TOLERANCES. THIS DRAWING IS INTENDED TO ASSIST THE CUSTOMER IN DESIGNING AN INTERFACE MODULE BETWEEN THE CUSTOMER'S EQUIPMENT AND Accutech PRODUCT/EQUIPMENT. ALL DIMENSIONS AND TOLERANCES IF DEFINED ARE PER ASME Y14.5 - 1994

NOTE: ALL DIMENSIONS ARE CONSIDERED CRITICAL.

ALL DIMENSIONS ARE IN INCHES [MILLIMETERS]    DRAWN BY K. ANDERSON    DATE 08-Jun-04

DO NOT SCALE    SHEET 1 OF 1



THIRD ANGLE PROJECTION

DESCRIPTION

TAPE - CASE A  
8mm

PART NO.

CT00328 4

MATERIAL

SEE NOTE 4.

DRAWING NO.

01-027477

B SIZE

ECO. NO. X-9603

REV.

B