

4

3

2

1

D

D

C

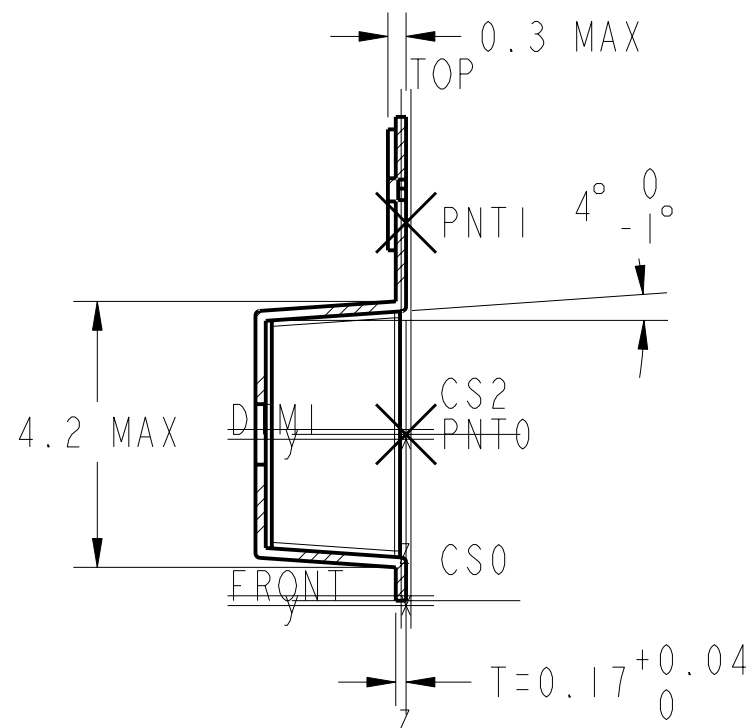
C

B

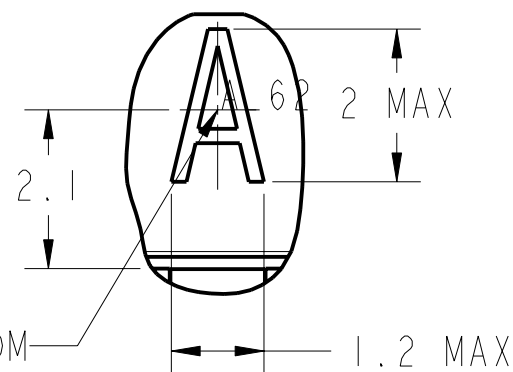
B

A

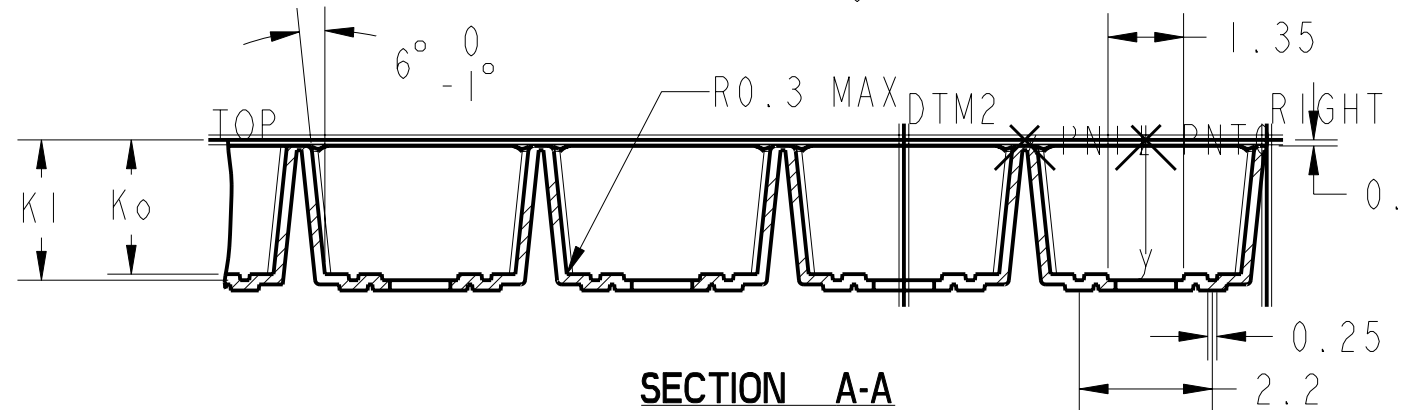
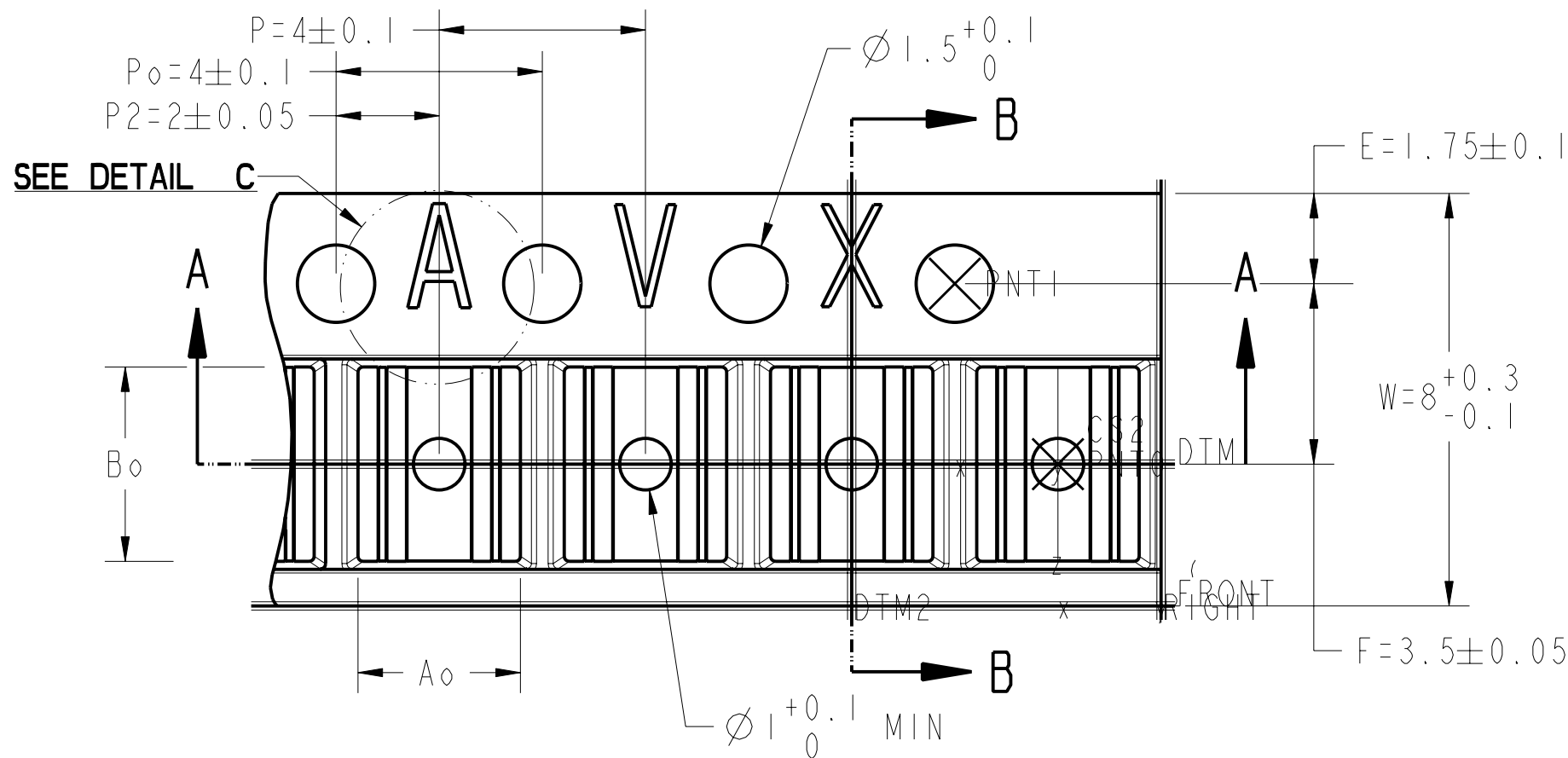
A



SECTION B-B



DETAIL C
SCALE 10.000



SECTION A-A

NOTES:

- EIA-481 STANDARDS APPLY
- POCKET POSITION RELATIVE TO SPROCKET HOLE MEASURED AS TRUE POSITION OF POCKET, NOT POCKET HOLE
- P10 = P0 X 10

4. NUMBER IDENTIFIES PRODUCT CONFIGURATION. FOR COMPLETE ORDER NUMBER TO INCLUDE MATERIAL TYPE AND QUANTITY PER REEL, CONTACT CUSTOMER SERVICE.

A0	3.15 ± 0.07 [0.124 ± .003]
B0	3.77 ± 0.07 [0.148 ± .003]
K0	2.22 ± 0.07 [0.087 ± .003]
K1	2.32 ± 0.07 [0.091 ± .003]

IMPORTANT NOTICE:

DRAWING DOES NOT CONTAIN ALL DIMENSIONS, SPECIFICATIONS, AND TOLERANCES. THIS DRAWING IS INTENDED TO ASSIST THE CUSTOMER IN DESIGNING AN INTERFACE MODULE BETWEEN THE CUSTOMER'S EQUIPMENT AND Accutech PRODUCT/EQUIPMENT. ALL DIMENSIONS AND TOLERANCES IF DEFINED ARE PER ASME Y14.5 - 1994

NOTE: ALL DIMENSIONS ARE CONSIDERED CRITICAL.

ALL DIMENSIONS ARE IN MILLIMETERS [INCHES] DRAWN BY K. ANDERSON DATE 09-Jun-04

DO NOT SCALE SHEET 1 OF 1



THIRD ANGLE PROJECTION

DESCRIPTION

TAPE - CASE B
8mm

PART NO.

CT00329 4

MATERIAL

SEE NOTE 4.

DRAWING NO.

01-027478

B SIZE

X-12974

ECO. NO.

REV. A