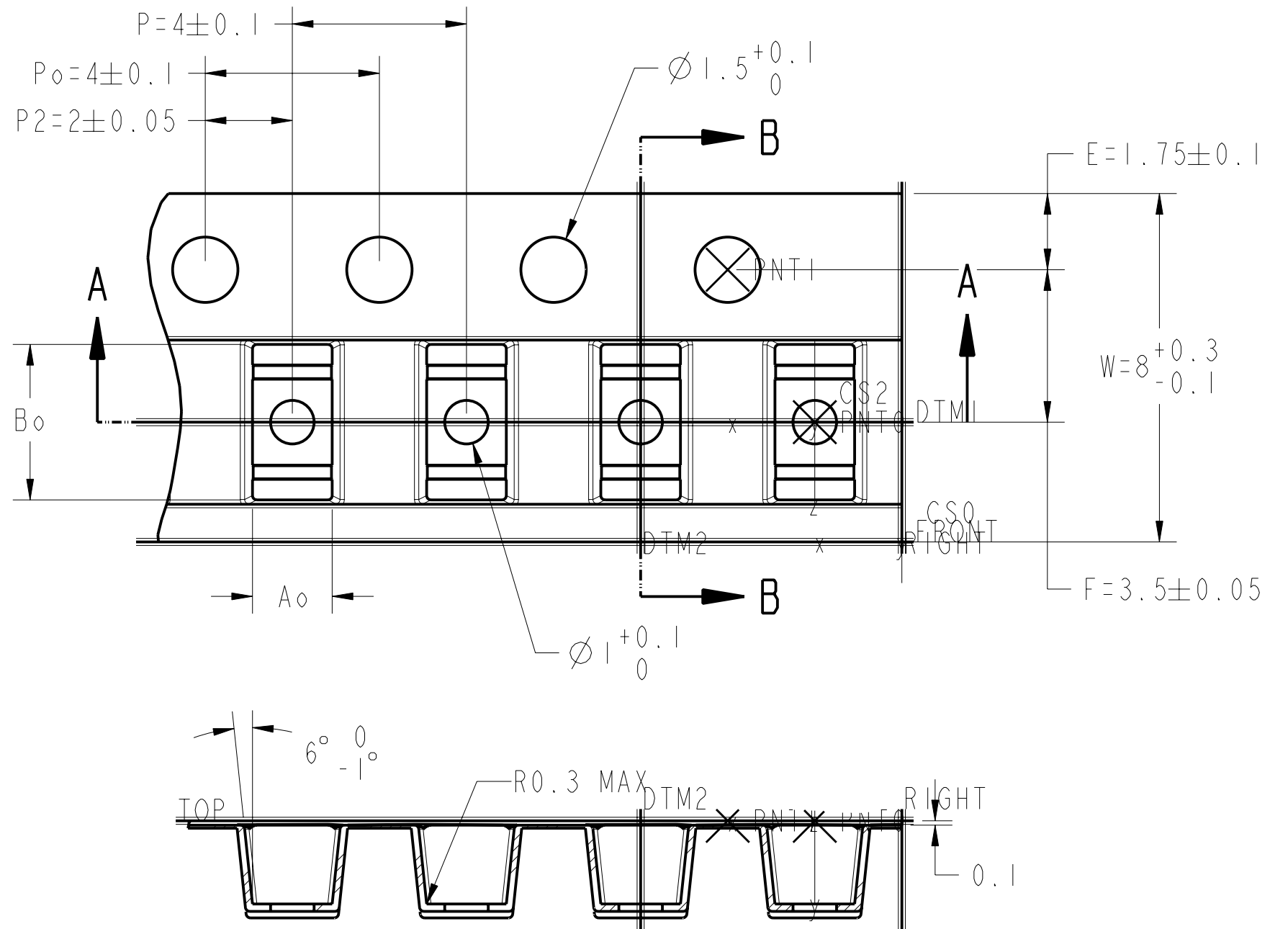


SECTION B-B



SECTION A-A

NOTES:

1. EIA-481 STANDARDS APPLY
2. POCKET POSITION RELATIVE TO SPROCKET HOLE MEASURED AS TRUE POSITION OF POCKET, NOT POCKET HOLE
3. $P10 = P_0 \times 10$

4. NUMBER IDENTIFIES PRODUCT CONFIGURATION. FOR COMPLETE ORDER NUMBER TO INCLUDE MATERIAL TYPE AND QUANTITY PER REEL, CONTACT CUSTOMER SERVICE.

A ₀	1.83±0.07 [0.072±.003]
B ₀	3.57±0.07 [0.141±.003]
K ₀	1.91±0.07 [0.075±.003]
K ₁	2.06±0.07 [0.081±.003]

IMPORTANT NOTICE:

DRAWING DOES NOT CONTAIN ALL DIMENSIONS, SPECIFICATIONS, AND TOLERANCES. THIS DRAWING IS INTENDED TO ASSIST THE CUSTOMER IN DESIGNING AN INTERFACE MODULE BETWEEN THE CUSTOMER'S EQUIPMENT AND Accutech PRODUCT/EQUIPMENT. ALL DIMENSIONS AND TOLERANCES IF DEFINED ARE PER ASME Y14.5 - 1994

NOTE: ALL DIMENSIONS ARE CONSIDERED CRITICAL.

ALL DIMENSIONS ARE IN INCHES [MILLIMETERS] DRAWN BY K. ANDERSON DATE 08-Jun-04

DO NOT SCALE SHEET 1 OF 1



THIRD ANGLE PROJECTION

DESCRIPTION TAPE - 1.83 X 3.57 X 1.91 8mm

PART NO. CT00332 4

MATERIAL SEE NOTE 4.

DRAWING NO. 01-027481

B SIZE

ECO. NO. X-9603

REV. B