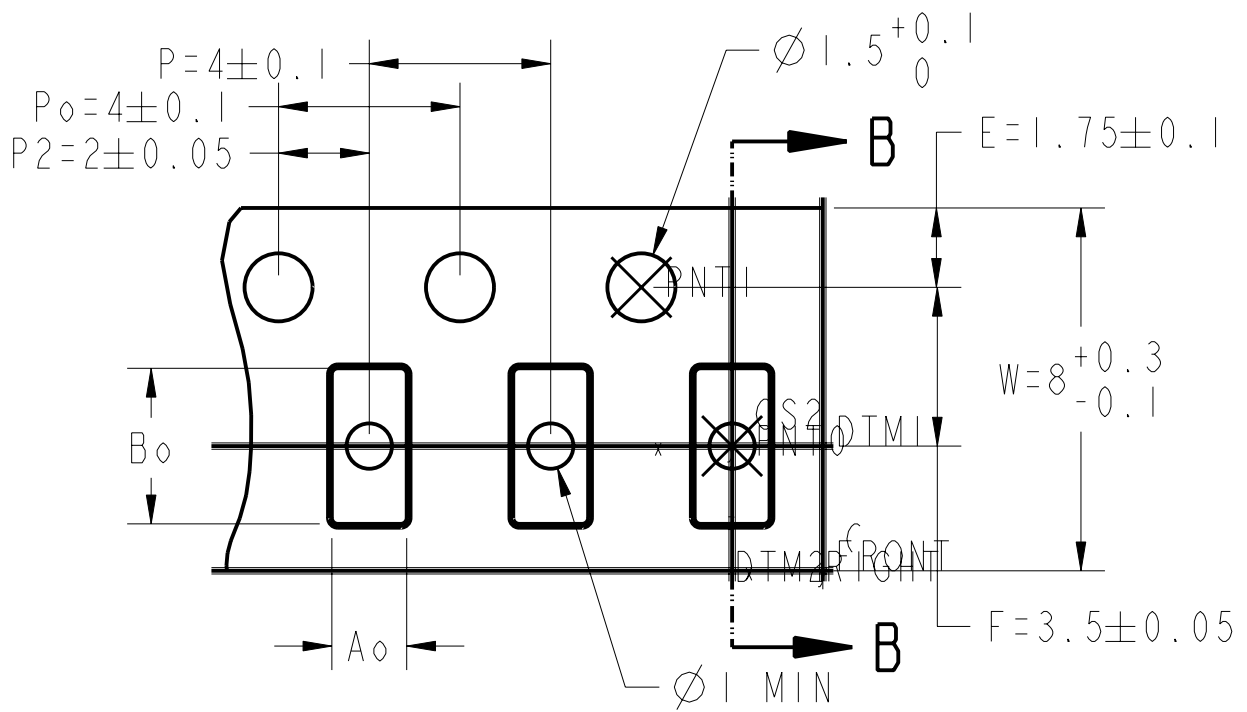


**SECTION B-B**



NOTES:

1. EIA-481 STANDARDS APPLY
2. POCKET POSITION RELATIVE TO SPROCKET HOLE MEASURED AS TRUE POSITION OF POCKET, NOT POCKET HOLE
3.  $P10 = P_0 \times 10$

4. NUMBER IDENTIFIES PRODUCT CONFIGURATION. FOR COMPLETE ORDER NUMBER TO INCLUDE MATERIAL TYPE AND QUANTITY PER REEL, CONTACT CUSTOMER SERVICE.

A <sub>0</sub>	1.65±0.10 [0.065±.004]
B <sub>0</sub>	3.43±0.10 [0.135±.004]
K <sub>0</sub>	0.97±0.10 [0.038±.004]

<b>IMPORTANT NOTICE:</b>			 THIRD ANGLE PROJECTION	<b>A</b> SIZE
DRAWING DOES NOT CONTAIN ALL DIMENSIONS, SPECIFICATIONS, AND TOLERANCES. THIS DRAWING IS INTENDED TO ASSIST THE CUSTOMER IN DESIGNING AN INTERFACE MODULE BETWEEN THE CUSTOMER'S EQUIPMENT AND <b>Accutech</b> PRODUCT/EQUIPMENT. ALL DIMENSIONS AND TOLERANCES IF DEFINED ARE PER ASME Y14.5M - 1994				
NOTE: ALL DIMENSIONS ARE CONSIDERED CRITICAL.			DESCRIPTION TAPE - 0805 - 038 8mm	X-9603  ECO NO. REV.
ALL DIMENSIONS ARE IN MILLIMETERS [INCHES]			PART NO. CT00343	
DRAWN BY	DATE	MATERIAL SEE NOTE	DRAWING NO. 01-027781	
K. ANDERSON	02-Jul-04			
DO NOT SCALE			REV.	B