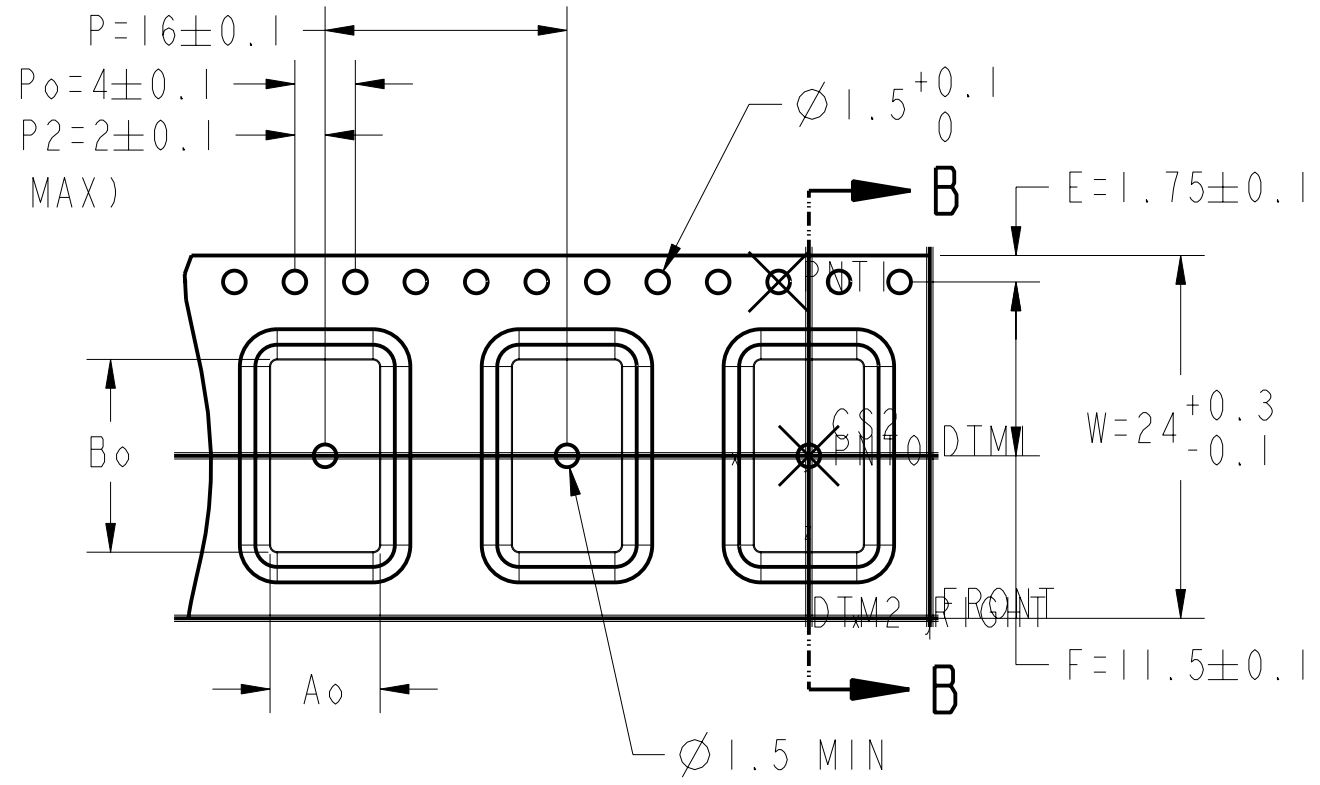


SECTION B-B



NOTES:

1. EIA-481 STANDARDS APPLY
2. POCKET POSITION RELATIVE TO SPROCKET HOLE MEASURED AS TRUE POSITION OF POCKET, NOT POCKET HOLE
3. P10=P0 X 10
4. NUMBER IDENTIFIES PRODUCT CONFIGURATION. FOR COMPLETE ORDER NUMBER TO INCLUDE MATERIAL TYPE AND QUANTITY PER REEL, CONTACT CUSTOMER SERVICE.

IMPORTANT NOTICE:

DRAWING DOES NOT CONTAIN ALL DIMENSIONS, SPECIFICATIONS, AND TOLERANCES. THIS DRAWING IS INTENDED TO ASSIST THE CUSTOMER IN DESIGNING AN INTERFACE MODULE BETWEEN THE CUSTOMER'S EQUIPMENT AND **Accutech** PRODUCT/EQUIPMENT. ALL DIMENSIONS AND TOLERANCES IF DEFINED ARE PER ASME Y14.5M - 1994

NOTE: ALL DIMENSIONS ARE CONSIDERED CRITICAL.

ALL DIMENSIONS ARE IN MILLIMETERS [INCHES]	DRAWN BY K. ANDERSON	DATE 06-Dec-04
DO NOT SCALE	SHEET 1 OF 1	



THIRD ANGLE PROJECTION	
DESCRIPTION	TAPE - CARR 015-91-2100 24mm
PART NO.	CT00420 $\triangle 4$
MATERIAL	SEE NOTE $\triangle 4$
DRAWING NO.	01-029787

A0	7.34±0.10 [0.289±.004]
B0	12.81±0.10 [0.504±.004]
K0	11.50±0.10 [0.453±.004]

A SIZE
X-9704
ECO NO. REV.
A