

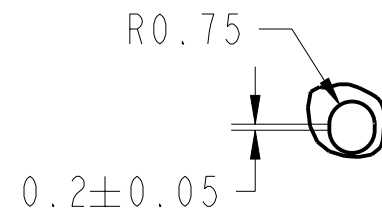
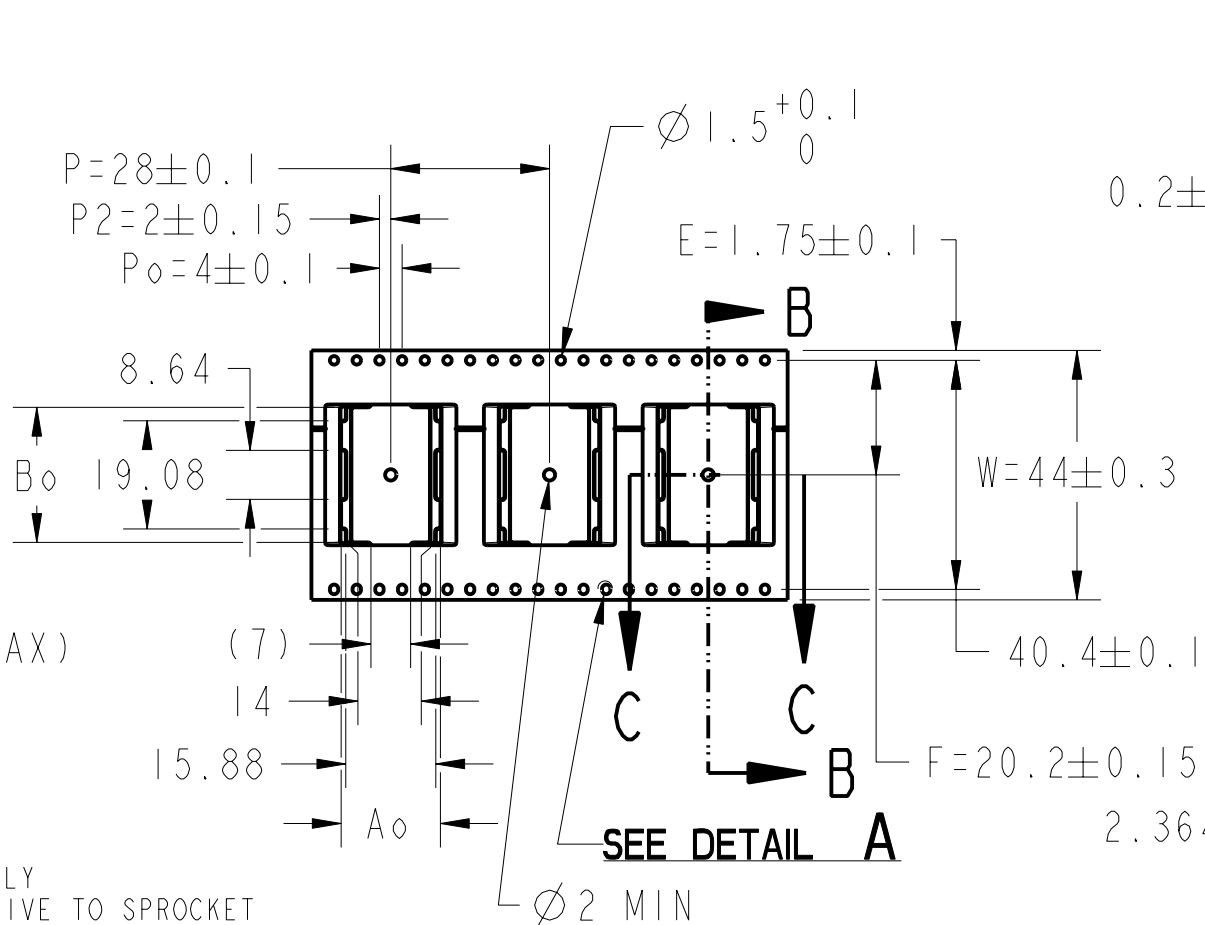
SECTION B-B

NOTES:

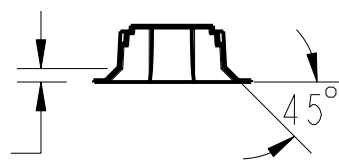
1. EIA-481 STANDARDS APPLY
2. POCKET POSITION RELATIVE TO SPROCKET HOLE MEASURED AS TRUE POSITION OF POCKET, NOT POCKET HOLE
3. $P_{10} = P_0 \times 10$

4. NUMBER IDENTIFIES PRODUCT CONFIGURATION. FOR COMPLETE ORDER NUMBER TO INCLUDE MATERIAL TYPE AND QUANTITY PER REEL, CONTACT CUSTOMER SERVICE.

A ₀	17.51 ± 0.10 [0.689 ± .004]
B ₀	23.82 ± 0.10 [0.938 ± .004]
K ₀	9.60 ± 0.10 [0.378 ± .004]
K ₁	6.44 ± 0.10 [.254 ± .004]



DETAIL A
SCALE 4.000



SECTION C-C

IMPORTANT NOTICE:			A SIZE
DRAWING DOES NOT CONTAIN ALL DIMENSIONS, SPECIFICATIONS, AND TOLERANCES. THIS DRAWING IS INTENDED TO ASSIST THE CUSTOMER IN DESIGNING AN INTERFACE MODULE BETWEEN THE CUSTOMER'S EQUIPMENT AND Accutech PRODUCT/EQUIPMENT. ALL DIMENSIONS AND TOLERANCES IF DEFINED ARE PER ASME Y14.5M - 1994			THIRD ANGLE PROJECTION
NOTE: ALL DIMENSIONS ARE CONSIDERED CRITICAL.		DESCRIPTION TAPE - CARR 12-1425-23 44mm	X-12872
ALL DIMENSIONS ARE IN MILLIMETERS [INCHES]		PART NO. CT00463_PROGRAM	
DRAWN BY JSTEFF	DATE 29-Jun-05	MATERIAL SEE NOTE 4.	
DO NOT SCALE	SHEET 1 OF 1	DRAWING NO. 01-032901_PROGRAM	
		ECO NO. REV.	B