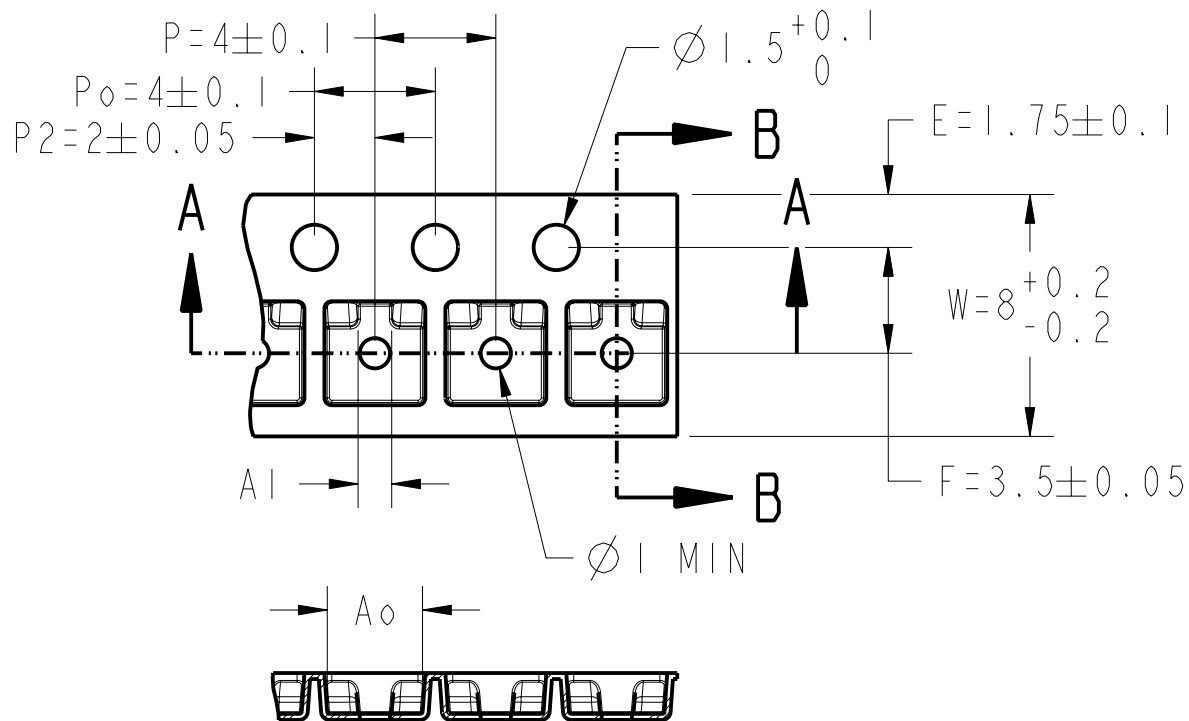


SECTION B-B



SECTION A-A

NOTES:

1. EIA-481 STANDARDS APPLY
2. POCKET POSITION RELATIVE TO SPROCKET HOLE MEASURED AS TRUE POSITION OF POCKET, NOT POCKET HOLE
3. P10=P0 X 10

4. NUMBER IDENTIFIES PRODUCT CONFIGURATION. FOR COMPLETE ORDER NUMBER TO INCLUDE MATERIAL TYPE AND QUANTITY PER REEL, CONTACT CUSTOMER SERVICE.

A ₀	3.15±0.10 [0.124±.004]
A ₁	1.10±0.10 [0.043±.004]
B ₀	3.25±0.10 [0.128±.004]
B ₁	2.50±0.10 [0.098±.004]
K ₀	1.35±0.10 [0.053±.004]

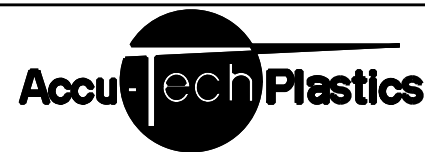
IMPORTANT NOTICE:

DRAWING DOES NOT CONTAIN ALL DIMENSIONS, SPECIFICATIONS, AND TOLERANCES. THIS DRAWING IS INTENDED TO ASSIST THE CUSTOMER IN DESIGNING AN INTERFACE MODULE BETWEEN THE CUSTOMER'S EQUIPMENT AND **Accutech** PRODUCT/EQUIPMENT. ALL DIMENSIONS AND TOLERANCES IF DEFINED ARE PER ASME Y14.5M - 1994

NOTE: ALL DIMENSIONS ARE CONSIDERED CRITICAL.

ALL DIMENSIONS ARE IN MILLIMETERS [INCHES] DRAWN BY K. ANDERSON DATE 24-Aug-05

DO NOT SCALE SHEET 1 OF 1



THIRD ANGLE PROJECTION

DESCRIPTION TAPE - SC59
8mm

PART NO. CT00471

MATERIAL SEE NOTE

DRAWING NO. 01-033573

A SIZE

X-13644

ECO NO. REV.

C